

MODEL	POWER		VOLTAGE	FREQUENCY	POWER FACTOR	CURRENT
	PRIME	STAND BY				
MP-515ES	470 Kw / 588 KVA	515 Kw / 644 KVA	208V	60Hz	0.8	1787 A



SILENT GENERATOR SET



OPEN GENERATOR SET

* Note: All pictures shown are for illustration purpose only. Actual product may vary due to product enhancement.

Specifications

Generator Set

Model	MP-515ES
Engine	PERKINS 2506C-E15TAG3 EPA Tier 3
Alternator	STAMFORD HCI 534E
Control Panel	Electronic
Phases	Three-phase
Fuel Tank	Open: 258 Gallons / Silent: 382 Gallons
Electric System	24V.
Frequency	60Hz
Cooling Fan Air flow	866 m3/min
Combustion Air flow	42.0 m3/min
Exhaust Gas flow	112.0 m3/min
Exhaust Gas temperature	550 °C

Silent Genset	Maximum	Ambient
Noise Level @ 7m	67 +/- 2 dBA	54 dBA

Engine

Number of Cylinders	6 in-line
Governor Type	Electronic
Cycle	4-Stroke
Aspiration	Turbocharger chargecooled
Fuel	Diesel
Combustion System	Direct injection
Cooling Method	Water Cooled
Bore	137.0 mm
Stroke	171.0 mm
Displacement	1520cc
Compression Ratio	16:1
Lubrication Sys. Capacity	62 liters
Cooling Sys. Capacity	58 liters

Fuel Consumption

Engine Speed	1800 RPM
	l/hr
Stand-by Power (2)	% & "\$
Prime Power (1)	%&%"\$
75% Prime Power (1)	- * "\$
50% Prime Power (1)	++ "\$

Alternator

Insulation System	Class "H"
Exciter Type	Self exciter
Voltage Regulation Card	AS440 ± 1.0%
Protection Class	IP 23

Technical Standards

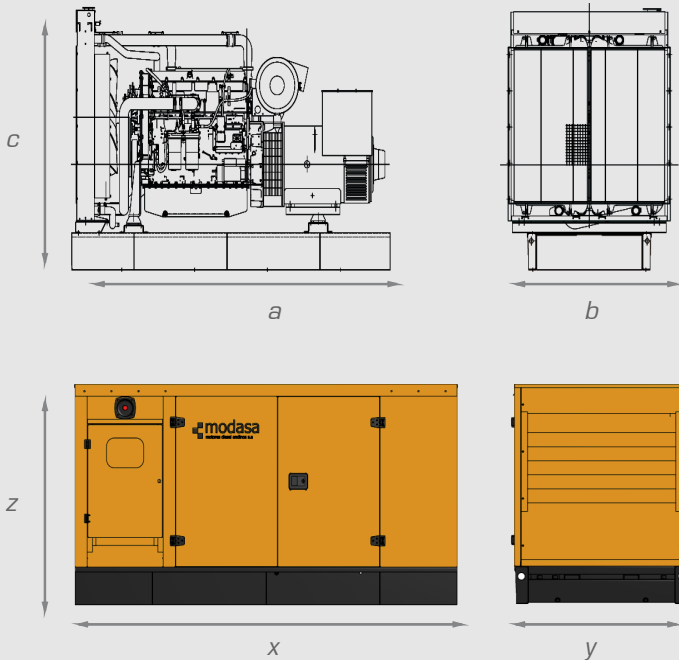
Engine :	ISO 3046, BS 5514, DIN 6271
Alternator :	IEC EN 60034, BS 5000, IEC 34 VDE 0530, NEMA MG1-32 CSAC22, 2-100, ASI 1359
Generator Set :	ISO 8528, ISO 9001:2015

(1) Prime Power: Available power under variable load for unlimited hours per year (ISO8528-1). Allows 10% power surge for one hour, every 12 hours.

(2) Standby Power: Available power under variable load, whenever the commercial network breaks down. Does not accept surges (ISO8528-3); it has 500 hours usage limit per year or 300 continuous hours instead.

Dimensions

Dimensions and Weights	a	b	c	Weight	Exh. Ø
	3500 mm	1354 mm	2170 mm	4250 kg	6"
Dimensions and Weights	x	y	z	Weight	Exh. Ø
	4810 mm	1689 mm	2629 mm	5800 kg	8"



Optional Enhancements

- Residential muffler. (included in Silent Genset)
- Monoblock water heater.
- Alternator dehumidifying resistance.
- Electronic governance.
- Automatic transfer board.
- Variety of voltages.
- Remote speed/voltage potentiometer.
- PMG
- Fuel level electric meter.

Control Panel



Outfitted with the most recent age electronic digital control panel, it allows starting, controlling, protecting and stopping the generator set in manual and automatic modes. Performs automatic transfer.

Measurements shown with alpha-numeric characters on the digital display:

- Current of the three phases L1, L2, L3
- Energy demand KWh, KVAh, KVArh.
- Active energy KVAh.
- Power factor.
- Frequency.
- Working time.
- Memory of the last 250 events, description, date and time.
- Active Power KW.
- Reactive Power KVA.
- Oil pressure.
- Sequence of generator phases.
- Oil temperature.
- Air intake temperature.
- Fuel temperature.
- Exhaust gas temperature.
- Cooling temperature.
- Rotation speed.
- Battery voltage.
- Voltage of the three phases L - L and L - N.

Protection:

- Activated maintenance alarm set.
- High temperature of the motor.
- Low/High frequency
- Low oil pressure.
- Low/High battery voltage.
- Low/High generator voltage.
- CAN diagnosis.
- Starter failure.
- Stop failure.
- Negative phase sequence failure.
- Over current failure.
- Overload fault.
- Emergency stop.
- Loss of speed signal due to pickup disconnection.

M: Modasa / P: PERKINS Engine / 515: Genset Power Reference / Q: 50 Hz 1500 RPM / I: Silent / M: Single-phase / E: EPA Tier

MODEL	POWER		VOLTAGE	FREQUENCY	POWER FACTOR	CURRENT
	PRIME	STAND BY				
MP-515E	468 Kw / 585 KVA	514 Kw / 643 KVA	440V	60Hz	0.8	843 A
MP-515E	470 Kw / 588 KVA	514 Kw / 643 KVA	480V	60Hz	0.8	773 A



SILENT GENERATOR SET



OPEN GENERATOR SET

* Note: All pictures shown are for illustration purpose only. Actual product may vary due to product enhancement.

Specifications

Generator Set

Model	MP-515E
Engine	PERKINS 2506C-E15TAG3 EPA Tier 3
Alternator	STAMFORD HCI 534D
Control Panel	Electronic
Phases	Three-phase
Fuel Tank	Open: 258 Gallons / Silent: 382 Gallons
Electric System	24V.
Frequency	60Hz
Cooling Fan Air flow	866 m3/min
Combustion Air flow	42.0 m3/min
Exhaust Gas flow	112.0 m3/min
Exhaust Gas temperature	550 °C

Silent Genset	Maximum	Ambient
Noise Level @ 7m	67 +/- 2 dBA	54 dBA

Engine

Number of Cylinders	6 in-line
Governor Type	Electronic
Cycle	4-Stroke
Aspiration	Turbocharger chargecooled
Fuel	Diesel
Combustion System	Direct injection
Cooling Method	Water Cooled
Bore	137.0 mm
Stroke	171.0 mm
Displacement	1520cc
Compression Ratio	16:1
Lubrication Sys. Capacity	62 liters
Cooling Sys. Capacity	58 liters

Fuel Consumption

Engine Speed	1800 RPM
	l/hr
Stand-by Power (2)	% & "\$
Prime Power (1)	%&%"\$
75% Prime Power (1)	- * "\$
50% Prime Power (1)	++ "\$

Alternator

Insulation System	Class "H"
Exciter Type	Self exciter
Voltage Regulation Card	AS440 ± 1.0%
Protection Class	IP 23

Technical Standards

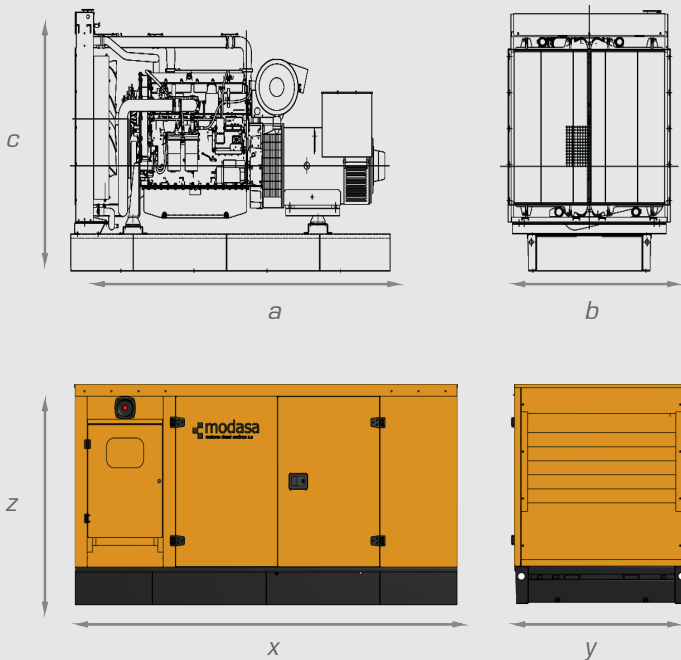
Engine :	ISO 3046, BS 5514, DIN 6271
Alternator :	IEC EN 60034, BS 5000, IEC 34 VDE 0530, NEMA MG1-32 CSAC22, 2-100, ASI 1359
Generator Set :	ISO 8528, ISO 9001:2015

(1) Prime Power: Available power under variable load for unlimited hours per year (ISO8528-1). Allows 10% power surge for one hour, every 12 hours.

(2) Standby Power: Available power under variable load, whenever the commercial network breaks down. Does not accept surges (ISO8528-3); it has 500 hours usage limit per year or 300 continuous hours instead.

Dimensions

Dimensions and Weights	a	b	c	Weight	Exh. Ø
	3500 mm	1354 mm	2170 mm	4100 kg	6"
Dimensions and Weights	x	y	z	Weight	Exh. Ø
	4810 mm	1689 mm	2629 mm	5650 kg	8"



Optional Enhancements

- Residential muffler. (included in Silent Genset)
- Monoblock water heater.
- Alternator dehumidifying resistance.
- Electronic governance.
- Automatic transfer board.
- Variety of voltages.
- Remote speed/voltage potentiometer.
- PMG
- Fuel level electric meter.

Control Panel



Outfitted with the most recent age electronic digital control panel, it allows starting, controlling, protecting and stopping the generator set in manual and automatic modes. Performs automatic transfer.

Measurements shown with alpha-numeric characters on the digital display:

- Current of the three phases L1, L2, L3
- Energy demand KWh, KVAh, KVArh.
- Active energy KVAh.
- Power factor.
- Frequency.
- Working time.
- Memory of the last 250 events, description, date and time.
- Active Power KW.
- Reactive Power KVA.
- Oil pressure.
- Sequence of generator phases.
- Oil temperature.
- Air intake temperature.
- Fuel temperature.
- Exhaust gas temperature.
- Cooling temperature.
- Rotation speed.
- Battery voltage.
- Voltage of the three phases L - L and L - N.

Protection:

- Activated maintenance alarm set.
- High temperature of the motor.
- Low/High frequency
- Low oil pressure.
- Low/High battery voltage.
- Low/High generator voltage.
- CAN diagnosis.
- Starter failure.
- Stop failure.
- Negative phase sequence failure.
- Over current failure.
- Overload fault.
- Emergency stop.
- Loss of speed signal due to pickup disconnection.

M: Modasa / P: PERKINS Engine / 515: Genset Power Reference / Q: 50 Hz 1500 RPM / I: Silent / M: Single-phase / E: EPA Tier